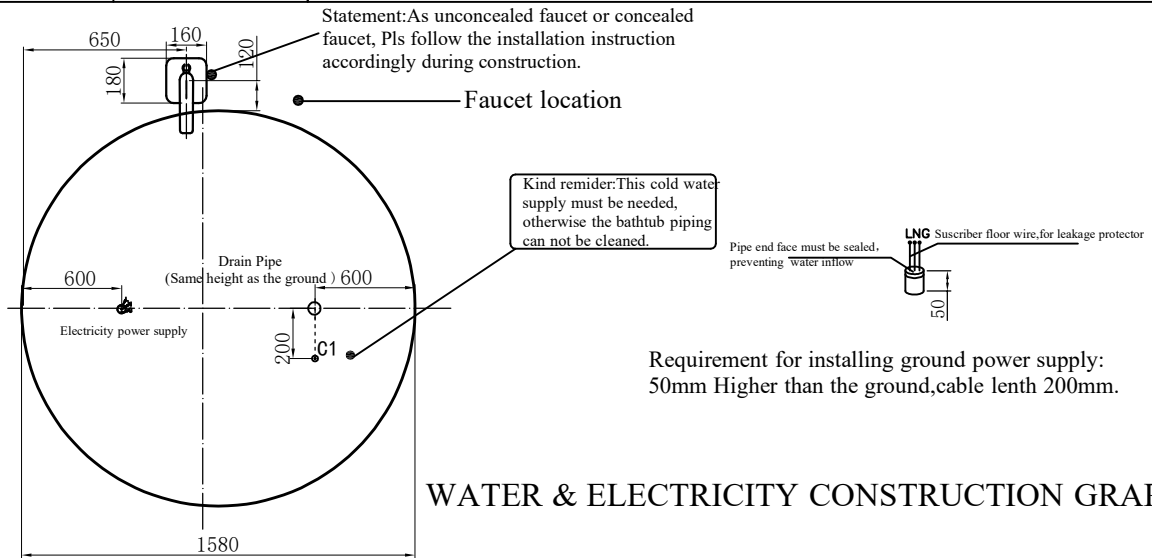
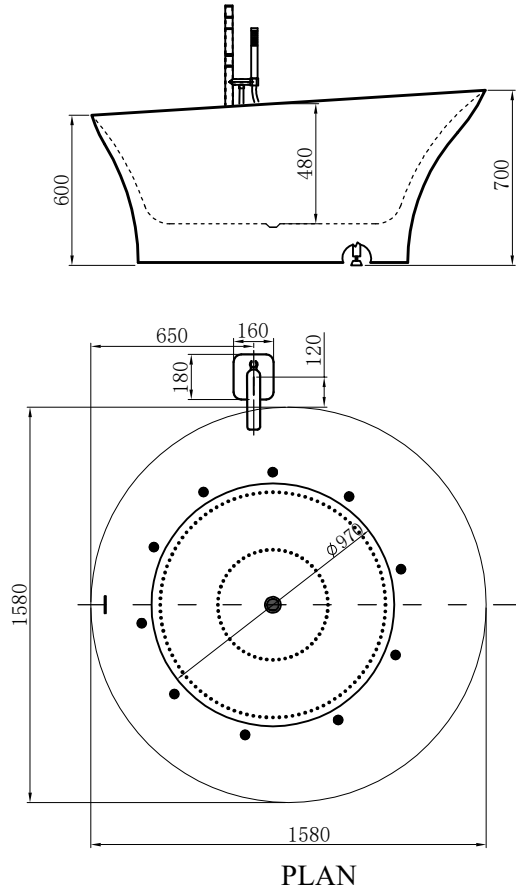


Model:DR-7011M	Configuration:With unconcealed or pre-built in floor faucet(optional)	Specification: 1580*1580*700mm
----------------	---	--------------------------------

No	Configuration (Standard)	Sketch	Unit	Qty
1	HP0.25 air pump (220V,50HZ)		set	1
2	pop up drain		pc	1
3	chromatherapy lamp		pc	10
4	pin hole for air bubble in the broadside of the bathtub bottom		ring	1
5	pin hole for air bubble in the middle of the bathtub bottom		ring	1
6	B6S-F mob APPcontrol system		set	1
7	overflow 80*4		pc	1
8	1.2 M extensive drain pipe		set	1
9	sealed floor drain		set	1

No	Configuration(optional)	Sketch	Unit	Qty
1	unconcealed or pre-built in floor faucet		set	1

Product Parameter	
air pump rated power/voltage/curren	200W/220VAC/0.9A
Drain pipe	DIA \cong 50mm
Max water consumption (L)	260
ply wood packing size(MM)	1640*1640*740
carton packing size(MM)	1630*1630*740



WATER & ELECTRICITY CONSTRUCTION GRAPH

- Drain pipe(Diam \cong 50mm,drain for the bathtub),same height as the floor.
- Cold water supply(reseved lenth 30mm,G1/2"metric thread.C1 means cold water, for the connection of bathtub piping cleaning.)
- Floor faucet(filling water to the bathtub).There are unconcealed faucet and pre-built in faucet. Pls follow the installation instruction accordingly during construction.
- Power cable (reserved lenth200mm,Power cable quare no .:3X2.5mm2.The bathtub must be connected to the ground wire)